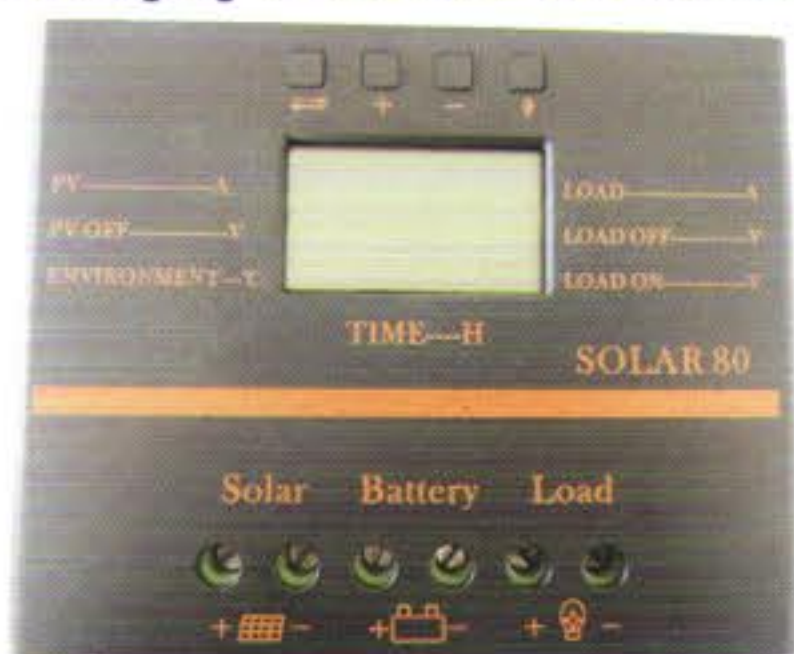


Intelligent Solar Charging and discharging Controller Users Manual



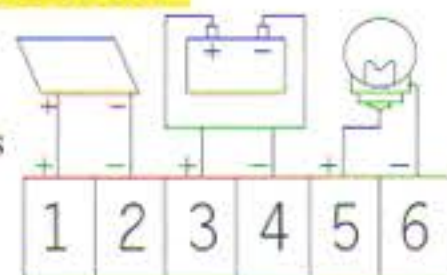
I: Product introduction

Solar LCD series a kind of intelligent, multi-purpose solar charge and discharge controller

LCD screen display	Battery reverse discharge protection
Easy operation interface	Battery reverse polarity protection
PWM charging mode	Battery under voltage protection
Parameter user can reset	Overload, short-circuit protection
A key to open and close the load	Automatic temperature compensation function
A key to restore the factory settings	USB 5V charging (for 500mA) for mobile phone

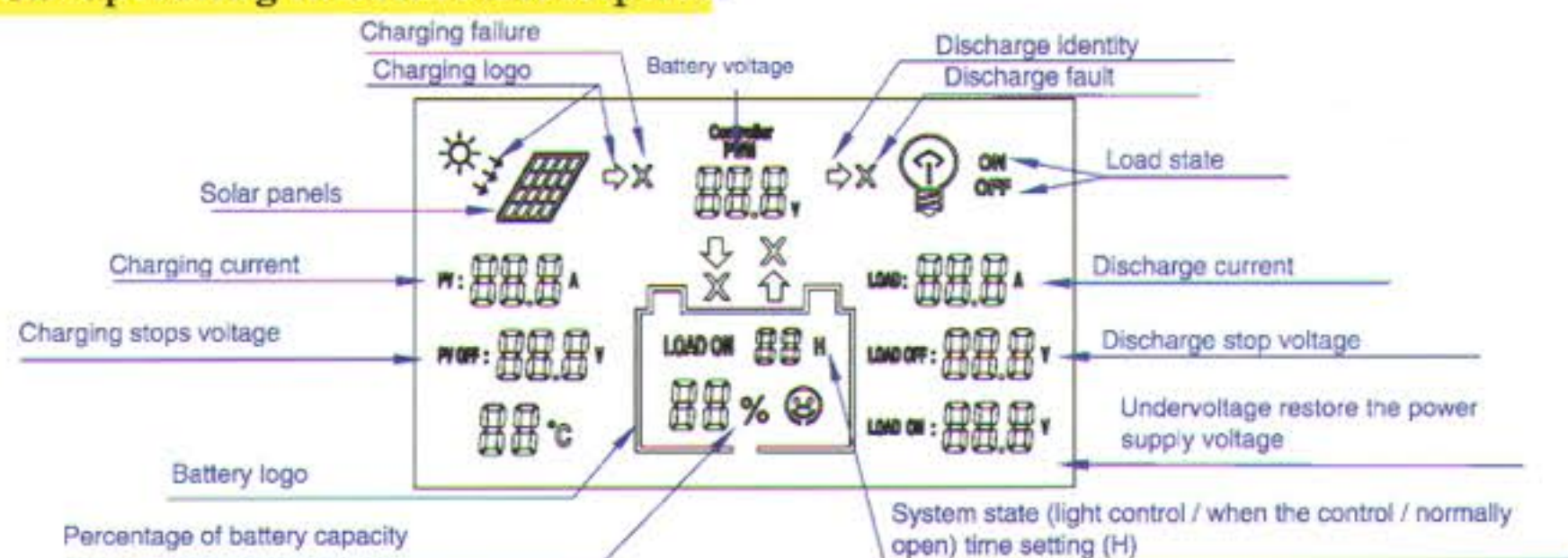
II: Installation Instructions

Installation



- Ready Qi installation tools and materials, and cable. Please matching suitable cable
- Ensure that the current density <math><4A/mm^2</math> this will help to reduce the line pressure drop. Recommended: 30A current 10mm² 60A current 20mm² 80A current 25 mm² cable. Check whether the installation site Comply with the relevant safety requirements, avoid damp, dusty, there is easy Inflammable, explosive and corrosive gases place to install using the controller
- Install the controller fixed to the vertical plane, see Section V mounting aperture and hole spacing. In order to ensure a good controller cooling conditions, the controller on the bottom of each reserved 10cm space
- As shown on the right wiring sequence: load, battery, solarBattery plate is connected to the controller to be taken to ensure that the load, battery, The polarity of the solar cell panel and controller
- Before use: external temperature sensor probe into the left of the controller temperature probe interface probe placed in similar battery temperature. (Line extension must be built-in devices of the external temperature probe coextensive Otherwise, the controller will control parameters of the temperature compensation of the error
- Warning: In order to prevent accidents from occurring, install: non-professionals can not be engaged in loading and unloading operations

III: LCD operating interface description



1. LCD graphic symbol description

LOAD ON 1 H---23H Load control (1 hour --- 23 hours can be set)	LOAD ON 24H 24 hour -is normally open state 0h-light control mode, power supply load after dark, closed after daybreak the load 24h-represents a normal mode, in the case of no fault, the load is always in the power supply state. 1h ~ 23h-light control delay mode, after dark began to power the load, and delay to set the time to close the load.
☀️: 000 A Charging current	🔋: 000 A Discharge current
🔋: 00.0 V Voltage charging station (can be set)	🔋: 00.0 V Undervoltage protection voltage (can be set)
🌡️: 00.0 °C Temperature display (around the probe)	🔋: 00.0 V Undervoltage recovery voltage (can be set)

2. Function keys:

↔️	"+" Set param	"-" Set param	💡 Manual
⏏️	Toggle key	ters: "plus"	ters: "Minus" switch load
💡	Long press and hold this button for 5 seconds to restore the factory settings		
💡	"x" error or system failure, click this button, you can troubleshoot or eliminate "x"		

3 Parameter settings

(≥ 5 seconds keystrokes, parameters are saved automatically)

↔️ : PV OFF:88.8V → LOAD ON:24H → LOAD OFF:88.8V → LOAD ON:88.8V (Set order (automatic cycle))

+ Parameters "+" setting - Parameters "-" setting

💡 This button can be "manually" open load or manually close the load. Long press and hold this button for 5 seconds to restore the factory settings "x" error or system failure, click this button, you can troubleshoot or eliminate "x"

IV. Common fault with processing methods

🔋 Battery under-voltage protection	🔋 Battery normal power supply
------------------------------------	-------------------------------

- Undervoltage protection and handling: screen display as shown on the right indicates the battery voltage is below the undervoltage protection voltage, the controller has entered undervoltage
- Retaining state, disconnect the load circuit. Using solar panels or charger to charge the battery when the accumulator
- After the battery voltage reaches the undervoltage recovery voltage, the controller will restore power to the load, into normal working condition

1) Overload protection and processing methods:

The screen shown at right load circuit current is greater than the rated current or load short-circuit, overload state controller has entered. Reduce the load troubleshooting, press the button, restore power to the load

⚡️ System fault	🔋 or 🔋 Fault has ruled out
-----------------	----------------------------

2) To charging failure handling method

- Solar energy to battery charging, if there is no correct configuration solar panels of power or exceed rated charging current, voltage, will appear charge fault, the checking and debugging, press the button, recoverability work.k

☀️ x Charge fault	☀️ Fault has ruled out
-------------------	------------------------

3) Solar panels fault and processing:

- 24 hours in the case of sun light, the controller is not charging, the solar energy is not connected or not connected correctly, check the solar panel to the connecting cable of the controller is open, troubleshooting, recoverability work.

☀️ No solar charge	☀️ Are charging
--------------------	-----------------

V. Parameter table

model Parameters	Solar30/60/80			model Parameters	Solar30	Solar60	Solar80
	Rated working current	30A	60A		80A	Installation wire number	≤7# AWG (10mm ²)
Rated working voltage	12V/24V			Working temperature	-10°C~60°C		
Solar panels voltage	≤48V			Storage temperature	-30°C~70°C		
Float charging voltage(settable)	13.8V/27.6V			Humidity requirements	≤90%,No gel		
Low voltage protection(settable)	10.7V/21.4V			dimension	90 mmx188 mm x50mm	128 mmx188 mm x61mm	128 mmx188 mm x61mm
Low voltage recovery(settable)	12.5V/25.0V			Mounting hole spacing	60 mmx178 mm --Φ5	98 mmx178 mm --Φ5	98 mmx178 mm --Φ5
No-load loss	≤25mA			weight	≤360g	≤800g	≤900g
Loop pressure drop	≤160mV			Temperature compensation	-4mV/Ce11/°C		
Charging mode	PWM mode						